

# INTO THE FUTURE WITH ROLLYXPLUS+

**NOVELTY!**

ENERGY  
SUPPLY

SAFE & SPACE SAVING

INTEGRATED

ROLLYXPLUS+ SRP180

## SMOOTH RUNNING ALUMINIUM RAIL SYSTEM



ENERGY CHAINS



COMPRESSED AIR



POWER SUPPLY AND  
CONTROL LINES



WE GET **LOADS**  
FLOATING ON AIR.

**STRÖDTER**  
Handhabungstechnik GmbH

**ROLLYXPLUS+**  
SCHIENENSYSTEM ENERGY SUPPLY INTEGRATED

# ROLLYXPLUS+ RAIL SYSTEM ENERGY SUPPLY INTEGRATED!

WITHOUT INTERFERING CONTOURS !!!



## What's new in ROLLYXPLUS+

With the innovative **ROLLYXPLUS+** solution from **STRÖDTER**, tubes and cables are trouble-free and space-savingsly led through the rail. A big **PLUS+** for the future handling technology as common interfering contours rail tracks are eliminated!

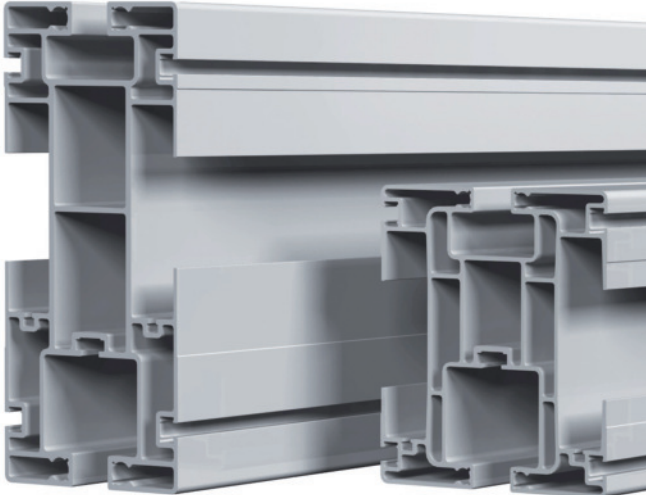
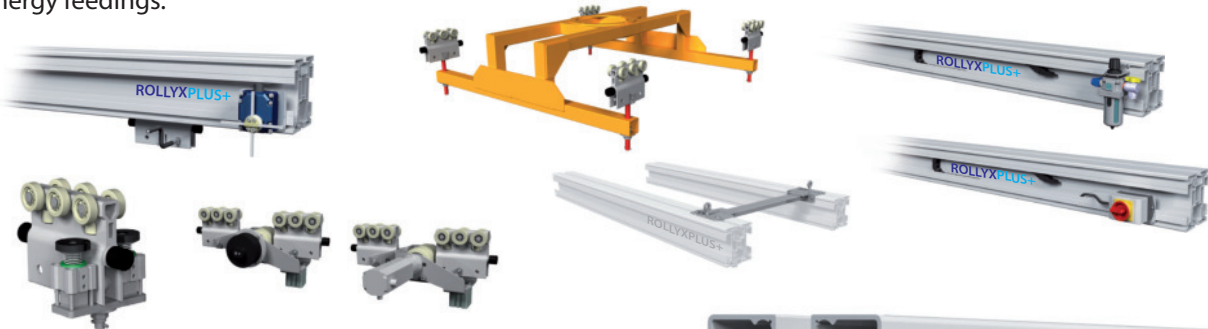
## What is ROLLYXPLUS+

The **ROLLYXPLUS+** aluminium rail system was developed as modular construction kit for the creation of rail ways and X/Y light crane installations with optimal running properties and a payload range up to 3000 kg. By means of this kit overhead cranes can be construed in a simple and fast way. Thus, the spectrum ranges from a straight line between two workplaces of just a few meters of conveyance, over an area-wide transport with an easy and convenient guidance by hand, up to installations for automated operation.



## How ROLLYXPLUS+ works

The **ROLLYXPLUS+** rail system can be easily adapted to individual conceptional requirements. It is based on hard-anodised multi-chamber precision aluminium profile of up to five-time stability gradation. Special trolleys equipped with ball-bearing plastic rollers and side guide rollers stand for a tilt-free running performance with low rolling resistance and outstanding ease of motion. The system is complemented by a variety of accessories, such as universal suspension, rail connection and end sets as well as different energy feedings.



SRP 285

SRP 180

# DROP CONTROL SYSTEM

ENGINEERING

MADE IN GERMANY

STRÖDTER  
▲ DROP CONTROL  
SYSTEM

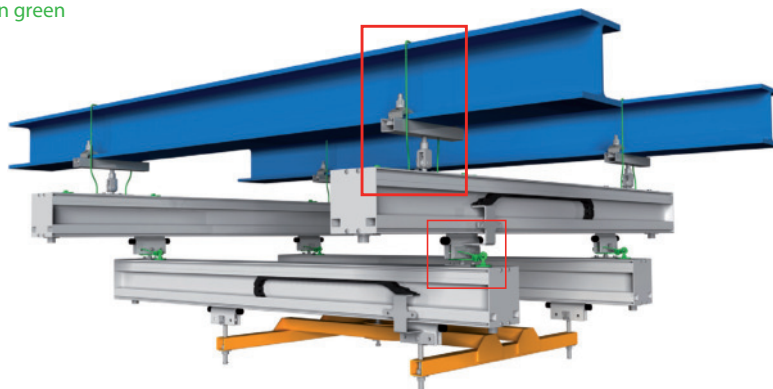
STRÖDTER  
Handhabungstechnik GmbH

## Safety first!

When introducing the **ROLLYX**-Rail System onto the market in 2002, **STRÖDTER** was the first to prevent rope safety catches for unforeseen cases.

### Pure safety.

- Elements shown in green are drop controls



## Vast advantages of ROLLYXPLUS+

**BETTER** – as **ROLLYXPLUS+** is simply more space-saving, clearer structured and of higher stability. Less suspensions and steel beams are required.

**SAFER** – Energy lines are not disturbingly suspended from the guiding track, but are integrated in the running rail, and thus cannot be demolished, e.g. by forklift trucks. Even the space restriction problem caused by suspended energy lines in connection with other equipments is sorted out with **ROLLYXPLUS+** rails.

### TIME-SAVING –

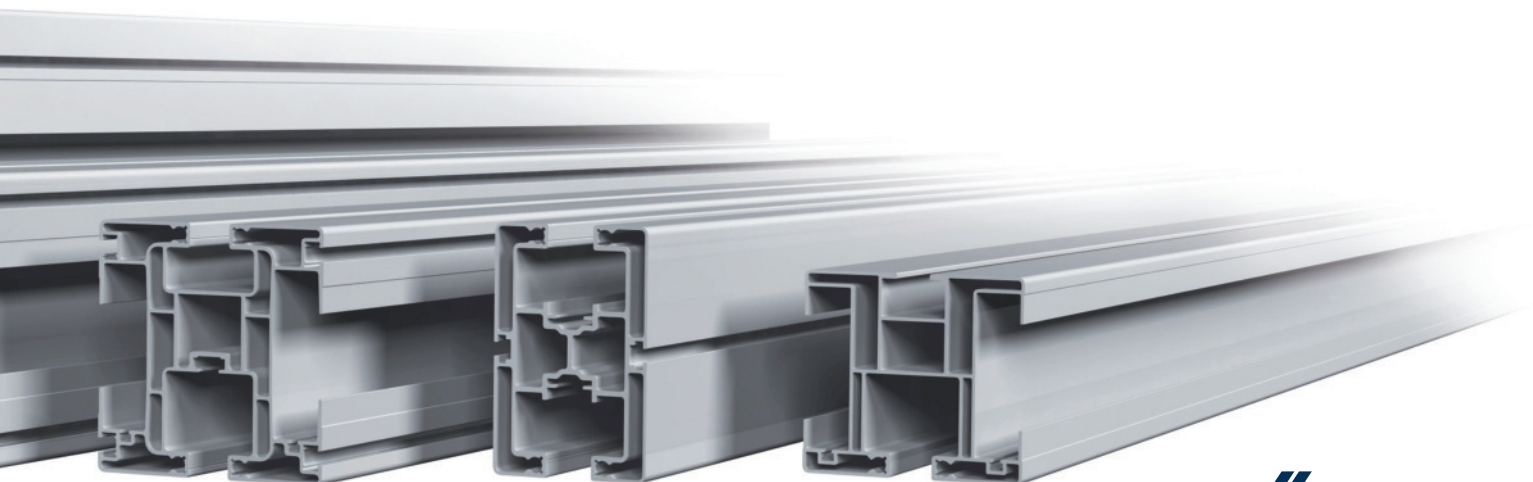
#### Saves assembly time

energy supply is entirely pre-assembled and there is no need to install it on site.

#### Developmental and planning time savings

energy supply consists of just a few components only and does not require dimensional design features.

**COST-SAVING** – as **ROLLYXPLUS+** reduces construction-, design-, material-, assembly, maintenance and repair as well as planning costs.



SRP 150

SRP 150Y

SRP 125

STRÖDTER  
Handhabungstechnik GmbH

## ADVANTAGES - AT A GLANCE!

### HIGHER EFFICIENCY

- more stable
- multifunctional
- considerably more space
- no interfering energy feedings
- time-saving installation
- precisely fitting solutions

### HIGHER FLEXIBILITY

- 5 Size variants  
(up to 3000 kg load capacity)
- compatible with **ROLLYX** standard range

### HIGHER FUNCTIONALITY

- integrated energy chain
- belt drive integrable with pneumatic or electric servo drive
- position measuring system integrable
- current collector rail integrable
- material- and tool trolley integrable

### MORE SECURITY

- protected energy supply
- mechanical safety catches

### ROLLYXPLUS+ THE SYSTEM FOR HIGHER PRODUCTIVITY

- free movement
- functional
- automation

### INTELLIGENT DESIGN

- The **ROLLYXPLUS+** multifunction rail is made of extruded more-chamber precision aluminium
- due to the more-chamber profile technique highest bending and torsion stiffness with low dead weight is achieved
- the aluminium rail is naturally coloured anodised and available up to 8 m length
- owing to integrated energy feeding interfering, common energy supplies are eliminated
- the full rail length can be used as driveway - thus shorter length compared to towed cabling and tubing loop systems

- less space required and saving rail costs
- The **ROLLYXPLUS+** multifunction rail is compatible with **ROLLYX** standard rails (predecessor model)

### SALES

# STRÖDTER

Handhabungstechnik GmbH

Strödter Handhabungstechnik GmbH  
Gabelsbergerstr. 6  
59069 Hamm/Germany

### CONTACT STRÖDTERDIRECT

phone: +49 (0) 23 85 - 9 21 21 - 0

### SERVICE LOCATIONS GERMANY

#### Branch office North

27798 Hude  
phone: +49 (0) 700 20 14 00 00  
fax: +49 (0) 448 49 20 43 7  
email: no@stroedter.de

#### Branch office East

04299 Leipzig  
phone: +49 (0) 700 20 10 00 00  
fax: +49 (0) 342 92 64 13 7  
email: sn@stroedter.de

#### Branch office South/West

67240 Bobenheim-Roxheim  
phone: +49 (0) 700 20 12 00 00  
fax: +49 (0) 623 9 9 96 55 81  
email: sw@stroedter.de

#### Branch office Baden-Württemberg

70794 Filderstadt  
phone: +49 (0) 700 20 11 00 00  
fax: +49 (0) 711 12 03 06 21  
email: bw@stroedter.de



[www.stroedter.de](http://www.stroedter.de)

#### Branch office Bavaria

85375 Neufahrn-Mintraching  
phone: +49 (0) 700 20 13 00 00  
fax: +49 (0) 8165 92 41 64 3  
email: by@stroedter.de

### BRANCH OFFICES EUROPE/WORLDWIDE

#### Branch office The Netherlands

STRÖDTER Handling Systems NL  
AE Venlo, Kaldenkerkerweg 28  
phone: +31 77 3333 004  
email: nederland@stroedter.de

#### Branch office Hungary

LK-Hatec Kft., 6060 Tiszakécske  
phone: +36 76 54 00 30  
fax: +36 76 54 00 31  
email: info@lk-hatec.com

#### Branch office South Africa

STRÖDTER Handling Systems SA  
East London  
phone: +27 74 849 49 50  
email: southafrica@stroedter.de

### PARTNERS WORLDWIDE

- STATECH, Geraardsbergen, Belgium
- PRITEC AB VACULYFT, Fjärås, Sweden
- DACO, Vitoria-Gasteiz, Spain
- HELIX Systems, Homewood, AL, USA
- EX-ES, Port Elizabeth, South Africa
- SADE, Harbin, China



STRÖDTER  
PRODUCT FILMS  
ON INTERNET



STRÖDTER  
ON INTERNET